



SM18  
Manual Reel  
\*Black is Stock Color



SME18  
ELECTRIC REEL



# SUMMIT HOSE REELS

HOSE REELS

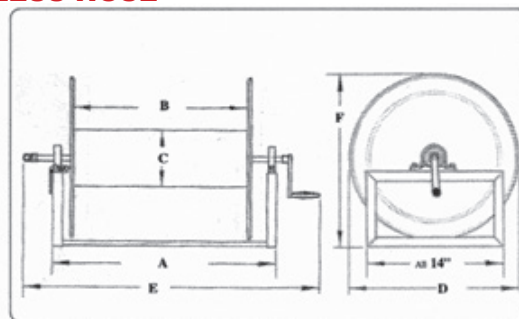
Part#	Description	Hose Capacity in Feet	Price
MR12	Manual Reel (Micro) • 1/2" Inlet / 3/8" Outlet • Steel Swivel	125' of 3/8"	\$511.90
SM12	Manual Reel • 1/2" Inlet/Outlet • Steel Swivel	300' of 3/8" • 200' of 1/2"	\$540.58
SM12X1	Manual Reel • 1" Inlet/Outlet • Steel Swivel	70' of 1"	\$770.06
SME12	Electric Reel • 1/2" Inlet/Outlet • Steel Swivel	300' of 3/8" • 200' of 1/2"	\$1,195.90
SME12X1	Electric Reel • 1" Inlet/Outlet • Steel Swivel	70' of 1"	\$1,434.20
SM18	Manual Reel • 1/2" Inlet/Outlet • Steel Swivel	450' of 3/8" • 325' of 1/2"	\$549.41
SM18X1	Manual Reel • 1" Inlet/Outlet • Steel Swivel	125' of 1"	\$778.88
SME18	Electric Reel • 1/2" Inlet/Outlet • Steel Swivel	450' of 3/8" • 325' of 1/2"	\$1,204.73
SME18X1	Electric Reel • 1" Inlet/Outlet • Steel Swivel	125' of 1"	\$1,443.03
SM30	Manual Reel • 1/2" Inlet/Outlet • Steel Swivel	750' of 3/8" • 550' of 1/2"	\$655.32
SM30X1	Manual Reel • 1" Inlet/Outlet • Steel Swivel	200' of 1"	\$884.79
SME30	Electric Reel • 1/2" Inlet/Outlet • Steel Swivel	750' of 3/8" • 550' of 1/2"	\$1,268.72
SME30X1	Electric Reel • 1" Inlet/Outlet • Steel Swivel	200' of 1"	\$1,507.01



**ALL HOSE REELS ARE LESS HOSE**

### Summit Hose Reel Parts

Part#	Description	Price
SM-102	Lock Assembly, SM Series	\$88.20
SM-103	Tension Spring, SM Series	\$23.52
SM-105	Bearing 1/2" & Lockdown 1/2"	\$99.94
SM-110	Crank Handle, Steel, 1/2"	\$85.26
SM-111	Plastic Handle, Complete, SM Series	\$41.16
SM-201	Push Button Starter, SME Series	\$113.27
SM-203	Chain with Link, SME Series	\$86.61
SM-204	Solenoid, SME Series	\$146.58
SM-205	Motor, 12 Volt, SME Series	\$708.66
SM-206	Motor Bracket, SME Series	\$105.84
SM-208	Small Sprocket (Motor), SME Series	\$73.29
SM-210	Chain Guard, SME Series	\$216.54
SM-104	Swivel, 1/2" Steel	\$139.92
SM-120	Swivel, 1" Steel	\$246.52
SM-124	Swivel Repair Kit, 1/2" Viton Seal	\$46.64
SM-122	Swivel Repair Kit, 1" Buna-N Seal	\$73.29
SM-140-XX	Hose Guide, Metal Rollers, Up to 22"	\$316.48



Model Number	Reel Dimensions In Inches						Unit Weight
	A	B	C	D	E	F	
SM12	17"	12"	6"	17"	25"	18"	38 lbs.
SM18	23"	18"	6"	17"	31"	18"	42 lbs.
SM30	36"	30"	6"	17"	43"	18"	56 lbs.

## LARGE HOSE REELS - 2" & 3" HOSE



Reel Will NOT Ship UPS  
Hose Reel is LESS HOSE



The manufacturer is discontinuing the production of the standard steel swivel. **ONLY STAINLESS STEEL SWIVEL** units will be available after existing inventory is gone.

For Style K, Fertilizer Solution & Enforcer Hose

Part#	Hose Size / Capacity	Price
PP-REEL-200SS	2" Manual Reel-SS Swivel	\$2,518.99
PPREEL-200ELSS	2" Electric Reel-SS Swivel	\$3,012.91
PPREEL-300ELSS	3" Electric Reel-SS Swivel	\$4,245.36
<b>STEEL SWIVEL (Limited Quantities Available)</b>		
PP-REEL-200	2" Manual Reel/75' Hose	\$2,201.47
PPREEL-200ELCT	2" Electric Reel/75' Hose	\$2,693.04
PPREEL-300ELCT	3" Electric Reel/75' Hose	\$3,873.74

## DIESEL & DEF HOSE REELS

**DIESEL HOSE REEL** includes reel and 50' of 1" Diesel Hose  
**DEF HOSE REEL** includes reel and 25' of 3/4" DEF Hose



Part#	Description	Price
FD84050-OLP	Diesel Hose Reel w/ 50' of 1" Fuel Hose; Auto-Retracting	\$1,934.23
UR7925-OLB	DEF Hose Reel w/ 25' of 3/4" DEF Hose; Auto-Retracting	\$1,932.08

### REPLACEMENT PARTS

Part No.	Description	Price
HRO2	2" Replacement O-Ring	\$3.36
HRO3	3" Replacement O-Ring	\$3.53
HRSW-2	2" Standard Swivel	\$500.22
HRSW-3	3" Standard Swivel	\$797.58
HRSS-2	2" Stainless Steel Swivel	\$860.58
HRSS-3	3" Stainless Steel Swivel	\$1,195.74
HR10	Replacement Electric Drive Motor	\$521.64
HRWR-002	Wireless Remote/Rocker Switch	\$400.68