



**Sprayer
Specialties
Inc.**

Foam Marking Systems

**LIST PRICE
CALL FOR DISCOUNTS!**

Standard 25 Gallon Foam Marker

Features:

- 25 gallon, high density poly tank
- Wet/Dry knob for on-the-go adjustment
- Long-life molded rubber boots
- Disconnect boots for "strip foaming"
- Standard with 100' of 1/2" foam hose
- Open-flow system means easy tank mixing
- End-line "foam enhancing" chambers for thicker foam
- 4 - 5/16" molded-in lugs in back of tank for easy mounting
- Lighted control box with left/right switch & indicator lights

Specifications:

Capacity: 25 Gallon
 Cost per Hour: \$0.86 per hour (128 to 1concentrate @ \$22.20 gal.)
 Power Source: 12 Volt
 Amperage Use: Switched Left - 12 Amps. Switched Right - 13.5 Amps
 Running Time per Fill: 8.03 Hrs.
 Dimensions: W:22" Depth:14" Ht:31"
 Drop Rate:14 Drops per minute. 370 gal. per hr. (by volume)

- 20 ft. break-away harness (10' x 10')
- Molded-in component housing
- Minimal cost-per-hour to operate

FMO2500



**FMO2500
25 Gallon Standard System
\$1284.00**

High-Output 25 Gallon Foam Marker

Features:

- 25 gallon, high density poly tank
- Wet/Dry knob for on-the-go adjustment
- Long-life molded rubber boots
- Disconnect boots for "strip foaming"
- Standard with 100' of 3/4" foam hose
- Open-flow system means easy tank mixing
- End-line "foam enhancing" chambers for thicker foam
- 4 - 5/16" molded-in lugs in back of tank for easy mounting
- Lighted control box with left/right switch & indicator lights

Specifications:

Capacity: 25 Gallon
 Cost per Hour: \$1.98 per hour (128 to 1 concentrate @ \$22.20 gal.)
 Power Source: 12 Volt
 Amperage Use: Switched Left - 19 Amps Switched Right - 20.5 Amps
 Running Time per Fill: 4.5 Hrs.
 Dimensions: W:22" Depth:14" Ht:31"
 Drop Rate:17 Drops per minute. 528 gal. per hr. (by volume)

- 20 ft. break-away harness (10' x 10')
- Molded-in component housing
- Minimal cost-per-hour to operate

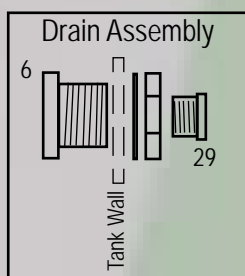
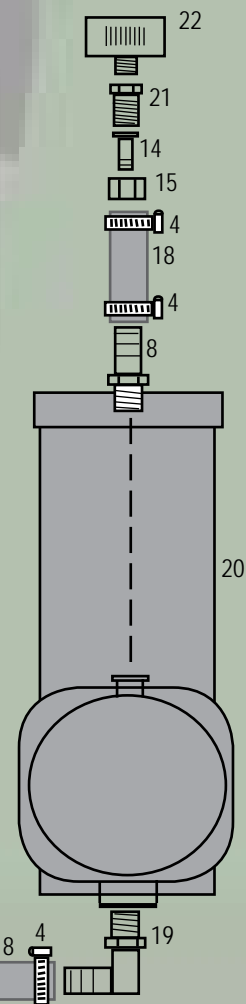
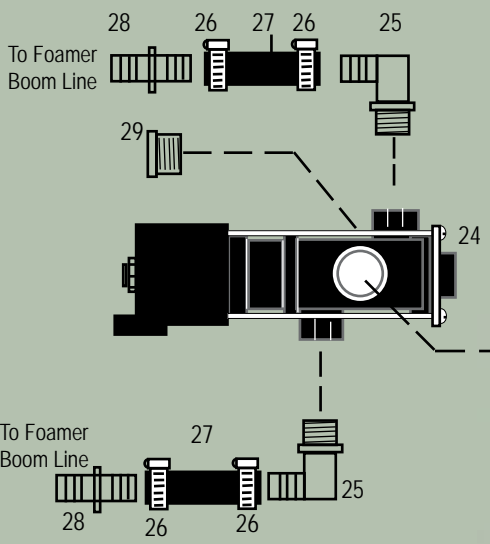
HO-FMO2500



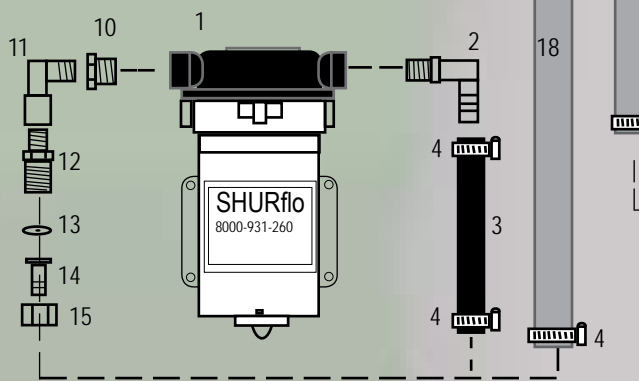
Increased
Foam Output

**HO-FMO2500
25 Gallon High Output System
\$1,578.00**





FMO2500 INTERNAL PARTS BREAKDOWN



FMO-CF \$24.74



FMO-FCA-100-12-100 \$30.98



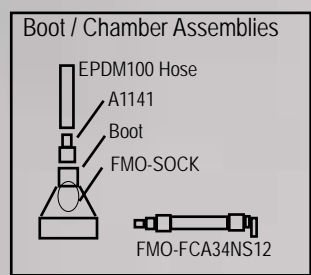
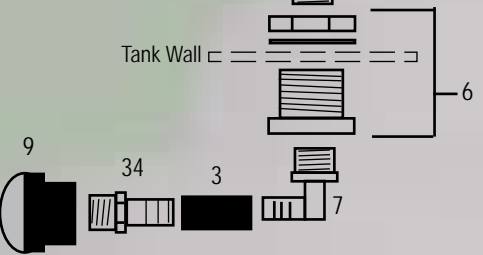
FMO-SOCK \$18.00



HO-BOOT100 \$44.00

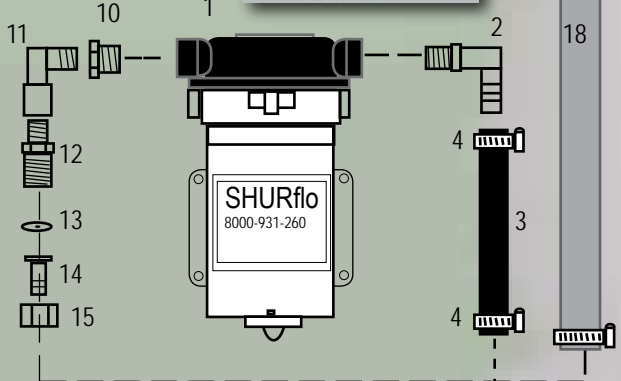
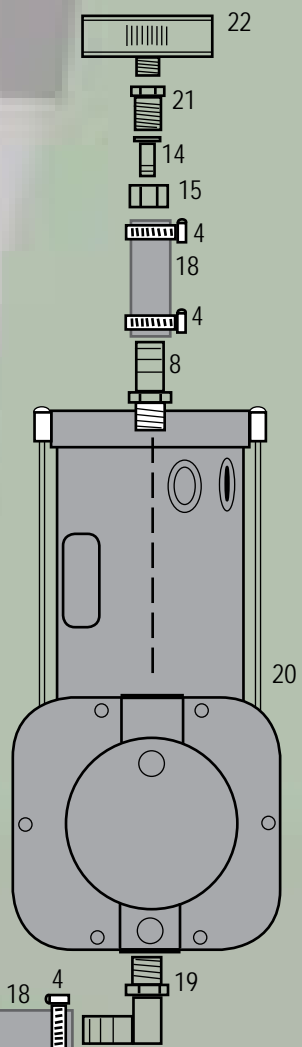
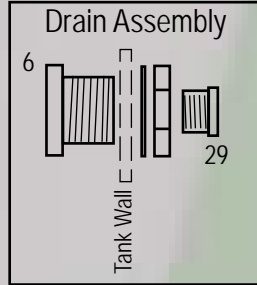
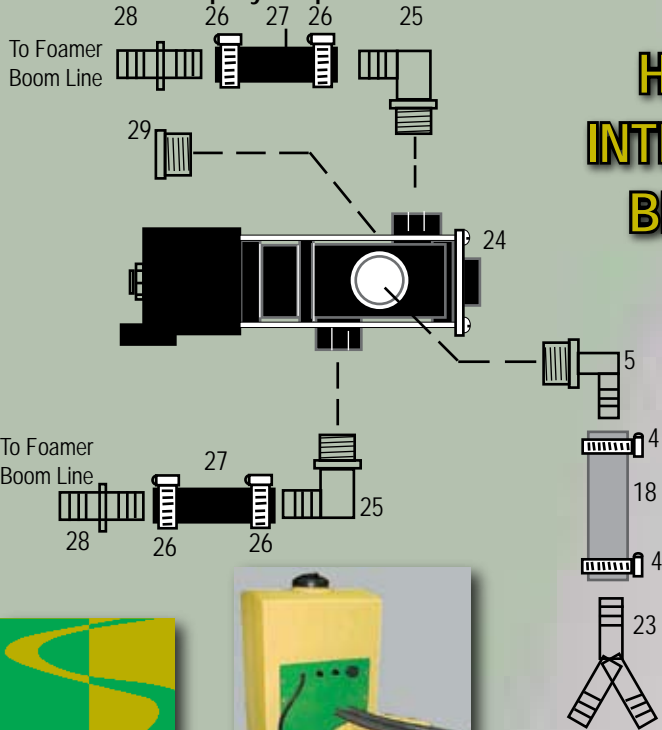


FMO-BTF \$29.50



1	8000-941-260	Shurflo 12 Volt	\$151.42
2	EL3812	3/8" Npt x 1/2 Barb	1.30
3	EPDM12	1/2" Rubber Hose	1.04
4	HC12	1/2" Clamp	.90
5	EL3438	3/4" Npt x 3/8" Barb EI	1.60
6	NORFITT34 3/4"	Tank Fitting Assm.	14.72
7	EL3412	3/4" Npt x 1/2 Barb EI	1.60
8	A1838	3/8" Npt x 3/8" Barb	.68
9	RVSTR38	3/8" Strainer	9.32
10	RB3814	Rdcr. Bushing 3/8" x 1/4"	3.30
11	SE14	1/4" Street Elbow	4.18
12	1/4T-NYB	Male Adapter	2.18
13	CP4916-31	Orifice Plate	2.79
14	K840038	3/8" Hose Shank	1.20
15	NC	Nozzle Cap	.54
16	11750-PP	Check Valve	4.96
17	NBI12	1/2" Straight Nozzle Body I	1.74
18	BVT38	3/8" Braided Vynil Tubing	.80
19	EL1412	1/4" Npt x 1/2" Barb EI	1.26
20	FMO-COMP Thomas Air	Comprsr. / Std	285.00
21	1/4TT-NYB	1/4" Female Nozzle Body	1.54
22	FMO-COMP-CF	Compressor Filter	25.74
23	YB38	3/8" Y Barb	2.70
24	AA144F-1-3	Solenoid Valve	155.16
25	EL1212	1/2" NPT x 1/2" Barb	1.42
26	HC12	1/2" Clamp	.90
27	EPDM12	1/2" Rubber Hose	1.04
28	TM1200	Hose Connector 1/2"	.82
29	F3400	3/4" Pipe Plug	3.30
30	SOL25FMT 25	Gallon Foamer Tank	181.00
31	FMO-DOOR	Door Kit with Screws Etc.	\$ N/A
32	FMO-MP-NS	Mount Plate Inernal	\$ N/A
33	FMO-MP-EXT-ES	External Mount Plate	\$ N/A
34	A3812	Fitting	\$ 70

HO-FMO2500 INTERNAL PARTS BREAKDOWN



FMO-FCA-100-12-100
\$30.98



FMO-SOCK
\$18.00



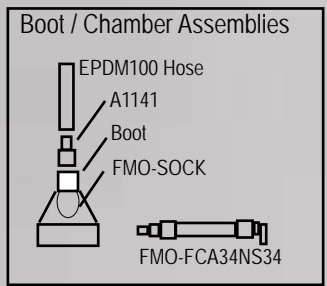
HO-BOOT100
\$44.00



FMO-BTF
\$29.50



FMO-CF
\$24.74



1	8000-941-260	Shurflo 12 Volt	\$ 151.42
2	EL3812	3/8" Npt x 1/2" Barb	1.30
3	EPDM12	1/2" Rubber Hose	1.04
4	HC12	1/2" Clamp	.90
5	EL3412	3/4" Npt x 1/2" Barb El	1.60
6	SOLFITT34	3/4" Tank Fitting Assm.	14.72
7	EL3412	3/4" Npt x 1/2" Barb El	1.60
8	A3812	3/8" Npt x 1/2" Barb	.70
9	RVSTR38	3/8" Strainer	9.32
10	RB3814	Redcr Bushing 3/8" x 1/4"	3.30
11	SE14	1/4" Street Elbow	4.18
12	1/4T-NYB	Male Adapter	2.18
13	CP4916-51	Orifice Plate	2.79
14	K840012	1/2" Hose Shank	1.20
15	NC	Nozzle Cap	.54
16	11750-PP	Check Valve	4.96
17	NBI12	1/2" Straight Nozzle Body I	1.74
18	BVT12	1/2" Braided Vinyl Tubing	.92
19	EL1412	1/4" Npt x 1/2" Barb El	1.60
20	HO-FMO-COMP-T	Thomas Air Comprsr. H.O.	544.00
21	1/4TT-NYB	1/4" Female Nozzle Body	1.54
22	HO-FMO-COMP-TCF	Compressor Filter	17.16
23	YB12	1/2" Y Barb	3.08
24	AA144F-1-3	Solenoid Valve	155.16
25	EL1234	1/2" NPT x 3/4" Barb	1.60
26	HC34	3/4" Clamp	.92
27	EPDM34	3/4" Rubber Hose	1.64
28	TM3400	Hose Connector 3/4"	1.16
29	F3400	3/4" Pipe Plug	3.30
30	SOL25FMT	25 Gallon Foamer Tank	181.00
31	FMO-DOOR	Door Kit with Screws Etc.	\$ N/A
32	FMO-MP-NS	Mount Plate Internal	\$ N/A
33	FMO-MP-EXT-ES	External Mount Plate	\$ N/A