

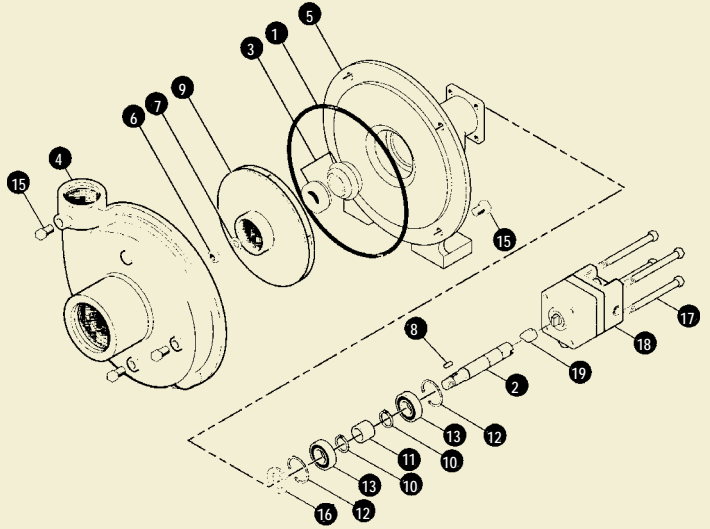


ACE PUMP PARTS

**LIST PRICE
CALL FOR DISCOUNTS!**

Ref #	PART NO.	DESCRIPTION	REQ.	PRICE
1	BAC-4 A	O Ring New Style	1	\$6.00
1A	*BAC-4	Gasket, 4 hole	1	2.50
2	BAC-6-HYD	Only Available in SS Below	1	N/A
2	BAC-6-HYD-SS	5/8" Driven shaft w/tang slot, S.S.	1	70.00
3	BAC-7B	Buna N mechanical seal (optional)	1	40.00
3	*BAC-7V	Viton mechanical seal	1	37.00
#	*40160	"O" Ring for BAC-6-HYD shaft	1	.50
4	BAC-12	1 1/4" x 1" Volute	1	145.00
5	BAC-14-HYD	Mounting frame	1	215.00
5	BAC-14-HYD-310	Mounting frame (310)	1	220.00
6	BAC-23-A	3/8"N.F. Hex nut	1	2.00
7	BAC-24-HYD-SS	3/8" Washer	1	1.50
8	BACH-25	Impeller key	1	1.00
9	BAC-26-HYD-VALOX	Impeller, Valox	1	55.00
9	BAC-26-HYD-CI	Impeller, cast iron (optional)	1	110.00
10	BAC-32	External snap ring, driven shaft	2	.50
11	BAC-32S	Spacer for BAC-6-HYD	1	4.00
12	BAC-33	Internal snap ring, BAC-14	2	2.00
13	BAC-37	Sealed ball bearing, BAC-6	2	18.00

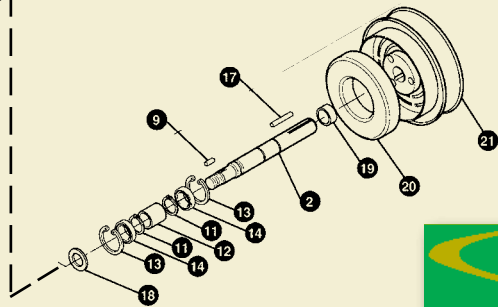
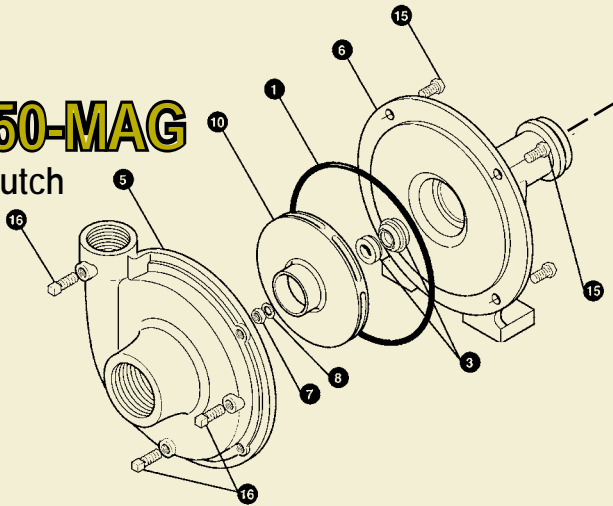
Ref #	PART NO.	DESCRIPTION	REQ.	PRICE
14	40950	Hex head cap screw	4	\$.50
14	40930	Hex head cap screw, S.S.	4	2.50
15	41110	1/8" NPT Pipe plug	3	.40
15	41120	1/8" NPT Pipe Plug, S.S.	3	5.00
16	BAC-54	Slinger	1	1.50
17	41256	Hex head cap screw (204)	4	2.00
17	41257	Hex head cap screw (210)	4	2.25
17	41330	Hex head cap screw (310)	4	.50
18	BAC-75-HYD-204	Hydraulic motor	1	460.00
18	BAC-75-HYD-210	Hydraulic motor	1	400.00
18	BAC-75-HYD-310	Hydraulic motor	1	670.00
19	BAC-76-HYD	Coupling for hydraulic motor	1	25.00



FMC-HYD-204/210/310 PRICING ABOVE



ACE FMC-150-MAG Magnetic Clutch Driven Pump Parts



Ref#	Part No.	Description	#Req.	Price
1	BAC-4-150	"O" Ring	1	6.00
2	BAC-6-150/200	Only Available in SS Below		N/A
2	BAC-6-150/200-SS	5/8 Shaft Stainless	1	60.00
3	BAC-7V	Seal	1	37.00
4	40160	"O" Ring	1	.50
5	BAC-12-150	Volute 1 1/2" x 1 1/4"	1	180.00
6	BAC-14-150-MAG	Mounting Frame	1	230.00
7	BAC-23-A	Hex Nut, Stainless	1	2.00
8	BAC-24-HYD-SS	3/8" Washer, Stainless	1	1.50
9	BACH-25	1/8" Key	1	1.00
10	BAC-26-150-CI	Impeller, CI with keyway	1	110.00
10A	BAC-26-150-P	Impeller, Poly w/ keyway	1	55.00
11	BAC-32	External snap ring	2	.50
12	BAC-32-S	Spacer for Shaft	1	4.00

Ref#	Part No.	Description	#Req.	Price
12	BAC-32-S	Spacer	1	4.00
13	BAC-33	Internal Snap Ring	2	2.00
14	BAC-37	Bearing	2	18.00
15	BAC-39	Cap Screw	1	2.00
16	41110	1/8" Pipe Plug	4	.50
17	BAC-50	3/16" Key	1	1.25
18	BAC-54	Slinger	1	1.50
19	41477	Spacer	1	10.00
20	41476	Coil Ring, 12 volt	1	200.00
21	41479	Assmby.Pulley, with bearing & Clutch Driver	1	450.00
#	41475	Assmby. Above with Coil & Spacer Included	1	650.00



ACE CENTRIFUGAL PUMPS



Clockwise
(Looking from Shaft Side)

Counter Clockwise Rotation



FRAME MOUNTED

Clockwise Rotation

FMC-CW-150

FMC-150

FMC-CW-200-X

FMC-CW-800-DRB

MODEL	EDP NO.	DESCRIPTION	WT.	PRICE
FMC-CW	47190	Cast iron 1 1/4" x 1" frame mounted straight centrifugal pump. Equipped with Viton mechanical seal. Clockwise rotation when facing shaft.	18	380.00
FMC-CW-150	47200	Cast iron 1 1/2" x 1 1/4" frame mounted straight centrifugal pump. Equipped with Viton mechanical seal. Clockwise rotation when facing shaft.	20	390.00
FMC-CW-200	47400	Cast iron 2" x 1 1/2" frame mounted straight centrifugal pump. Equipped with Viton mechanical seal. Clockwise rotation when facing shaft.	24	510.00
FMC-CW-800-DRB	47550	Cast iron 2" x 1 1/2" frame mounted straight centrifugal pump. 0-160 PSI at max. 4200 RPM. 180 GPM at open discharge. Equipped with Viton mechanical seal. Clockwise rotation when facing shaft.	42	940.00

Counter Clockwise Rotation

MODEL	EDP NO.	DESCRIPTION	WT.	PRICE
FMC	46800	Cast iron 1 1/4" x 1" frame mounted straight centrifugal pump for belt drive applications. Equipped with Viton mechanical seal.	18	380.00
FMC-150	46804	Cast iron 1 1/2" x 1 1/4" frame mounted straight centrifugal pump for belt drive applications. Equipped with Viton mechanical seal.	23	390.00
FMC-200	47403	Cast iron 2 x 1 1/2" frame mounted straight centrifugal pump for belt drive applications. Equipped with Viton mechanical seal.	24	510.00
FMCH-MS	49101	High pressure cast iron 1 1/4" x 1" frame mounted side suction centrifugal pump with Viton mechanical seal and double row bearings. For belt drive applications. 0-100 PSI at maximum 4200 RPM. 60 GPM at open discharge.	24	660.00

With 12 Volt DC Magnetic Clutch & Pulley



Clockwise Rotation (when facing pulley)



MODEL	EDP NO.	DESCRIPTION	WT.	PRICE
FMC-CW-MAG-D	47195	Cast iron 1 1/4" x 1" frame mounted clockwise rotation straight centrifugal pump assembled with 12 volt DC belt driven magnetic clutch. Equipped with Viton mechanical seal.	23	710.00
FMC-CW-150-MAG-D	47237	Cast iron 1 1/2" x 1 1/4" frame mounted clockwise rotation straight centrifugal pump assembled with 12 volt DC belt driven magnetic clutch. 0-80 PSI at max. 4200 RPM. 75 GPM at open discharge. Equipped with Viton mechanical seal.	25	710.00
FMC-CW-150-MAG	47231		24	720.00
FMC-CW-150-MAG-DX3	47250	Same as FMC-CW-150-MAG-D above with-X frame option and 3.5" mounting bolt spacing. Replacement pump for Spra-Coupe models 3430, 3440, 3630, 3640, 4440, and 4640. Spra-Coupe is a registered trade mark of AGCO Corporation.	25	755.00
FMC-CW-200-MAG-D	47440	Cast iron 2" x 1 1/2" frame mounted clockwise rotation straight centrifugal pump assembled with 12 volt DC belt driven magnetic clutch. 0-45PSI at max. 3450 RPM. 120 GPM at open discharge. Equipped with Viton mechanical seal.	29	880.00
FMC-CW-200-MAG	47410		28	890.00
FMC-CW-800-MAG-D	47570	Cast iron 2" x 1 1/2" frame mounted straight centrifugal pump assembled with 12 volt DC belt driven magnetic clutch. 0-160 PSI at max. 4200 RPM. 180 GPM at open discharge. Equipped with Viton mechanical seal.	45	1790.00
FMC-CW-800-MAG	47560		43	2020.00

Counter Clockwise Rotation (when facing pulley)

MODEL	EDP NO.	DESCRIPTION	WT.	PRICE
FMC-MAG-D	47040	Cast iron 1 1/4" x 1" frame mounted counterclockwise rotation straight centrifugal pump assembled with 12volt DC belt driven magnetic clutch. 0-100 PSI at max. 4600 RPM, 60 GPM at open discharge. Equipped with Viton mechanical seal.	23	710.00
FMC-MAG	47015		22	720.00
FMC-150-MAG-D	47030	Cast iron 1 1/2" x 1 1/4" frame mounted counterclockwise rotation straight centrifugal pump assembled with 12volt DC belt driven magnetic clutch. 120 PSI at max. 5200 RPM, 130 GPM at open discharge. Equipped with Viton mechanical seal.	25	720.00
FMC-150-MAG	47019		24	720.00
FMC-200-MAG-D	47430	Cast iron 2" x 1 1/2" frame mounted counterclockwise rotation straight centrifugal pump assembled with 12volt DC belt driven magnetic clutch. 0-60 PSI at max. 3950 RPM, 180 GPM at open discharge. Equipped with Viton mechanical seal.	28	880.00
FMC-200-MAG	47413		27	890.00
FMCH-MAG-MS	49119	High pressure cast iron 1 1/4" x 1" frame mounted counterclockwise rotation side suction centrifugal pump assembled with 12 volt DC belt driven magnetic clutch.	28	1070.00