



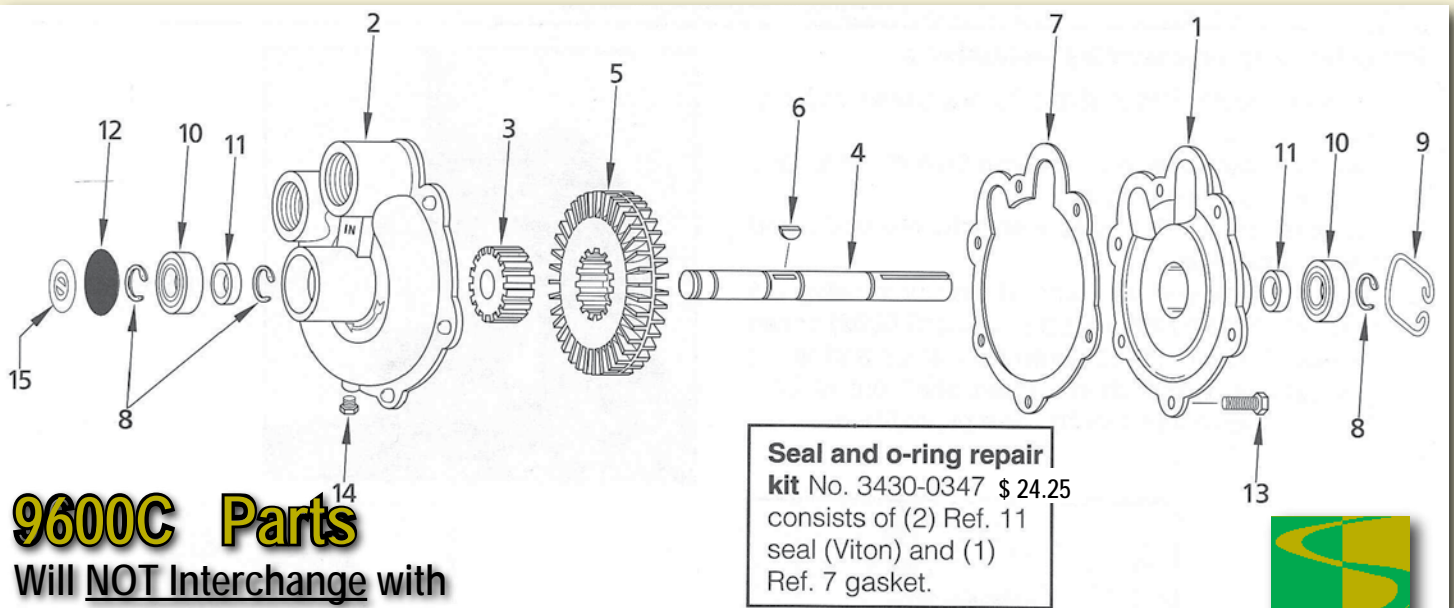
# TURBINE STYLE PUMPS



## 9600 Turbine

**LIST PRICE  
CALL FOR DISCOUNTS!**

Model Number	Max. GPM	Max. PSI	Max. RPM	Description	List Price	Estimated Shpg. Wt.
9600C	100	100	1200	High-capacity Turbine Pump made of cast iron with Valox® impeller, Viton lip seals and stainless steel 15/16" shaft and 1/4" key way.	\$491.00	28 lbs.
1320-0061			1200	1-3/4" Forged Steel PTO Adapter	56.75	1 lb.
1320-0080			1200	1-3/8" Forged Steel PTO Adapter	58.00	1 lb.
1320-0078				Torque Arm Kit for 9600C.	38.00	2 lbs.
3430-0347				Seal and o-ring repair kit.	24.25	4 oz.
0400-9600P				Valox impeller.	81.25	1 lb.



### 9600C Parts

**Will NOT Interchange with Delevan Turbo 90**

Ref#	Qty	Part#	Description	Price	Ref#	Qty	Part#	Description	Price
1	1	0150-9600C	Body	\$ 234.00	9	1	1820-0025	Ret. Ring, Int.	\$ 2.40
1	1	0250-9600C	Housing	270.00	10	2	2008-0001	Bearing	11.25
3	1	1201-0015	Impeller Insert	106.00	11	2	2112-0003	Seal, Viton	10.25
4	1	0500-9600	Shaft, Stainless	92.50	12	1	2300-0020	Bearing Cover	1.10
5	1	0400-9600P	Impeller, Valox	81.25	13	6	2210-0026	Screw	.70
6	1	1610-0045	Key	4.05	14	1	2406-0007	Pipe Plug	.70
7	1	1710-0015	Gasket	4.40	15	1	6031-0299	Decal	N/A
8	3	1810-0008	Ret. Ring, Ext.	1.15					