

**LIST PRICE  
CALL FOR DISCOUNTS!**

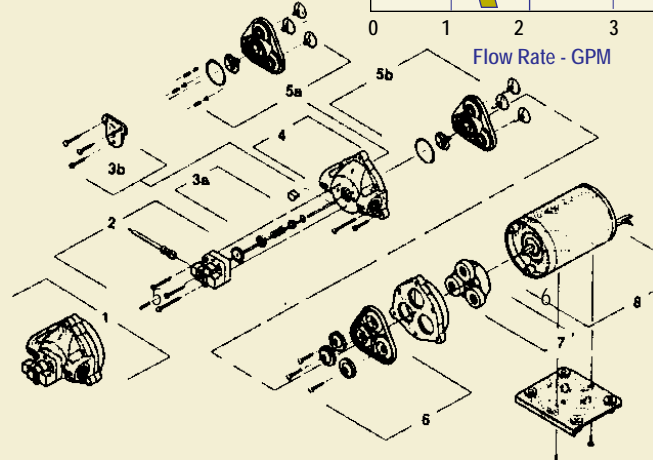
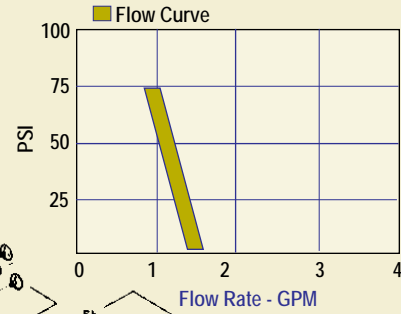
# 12 / 110 VOLT ELECTRIC DIAPHRAGM PUMPS



**Pumps** Standard Features; \*3/8" FPT Ports, \*160 Degree Max. Temperature,  
\*Primes Up To 8 Feet, \*Polypropylene Body



Self-Priming to 12 Feet



PUMP#	Description	List Price
8000-543-236	12 Volt pump w/ demand sw. 40-60psi. 1.4 gpm	\$123.70
8000-543-210	12 Volt pump w/ by-pass @ 35psi. 1.4 gpm	123.66
8000-941-260	12 Volt, bypass, foamer	154.52
8000-541-236	12 Volt w/ demand sw. 40-60psi. 1.0 gpm	93.84
8000-543-250	12 Volt pump w/ by-pass @ 45psi. 1.4gpm	123.38
8000-713-238	110 Volt pump w/ demand sw. 100psi.	199.00
8000-533-250	110 Volt pump w/ by-pass @ 45 psi.	209.00
8023-313-239	OIL PUMP, 115 Volt, 6' cord, Buna, 1.4 gpm	169.94

## Pump Repair Parts

Refr.#	Part#	Description	List Price
1	94-380-02	Complete Pump Head, demand	\$83.00
2	94-375-05	Switch Assembly-Viton	33.08
3A	94-374-05	Check Valve Under Switch-Celcon/Viton	14.70
4	94-379-00	Upper Housing	23.10
5A	94-391-05	Bypass Valve Assembly-Viton	55.00
5B	94-390-05	Demand Valve Assembly-Viton	48.00
6	94-395-06	Diaphragm Kit	25.00
7	94-385-03	Drive Assembly	30.00
8	11-111-00	Motor	122.00

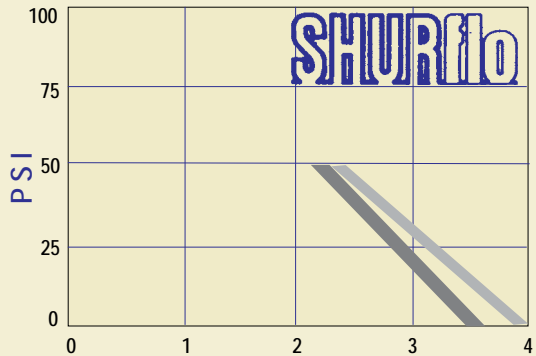
# HIGH OUTPUT ELECTRIC DIAPHRAGM PUMPS



Self-Priming to 12 Feet

### FEATURES

- \*Ports-1/2" MPT
- \*Santoprene Diaphragms
- \*Santoprene Valves
- \*3.5 GPM
- \*12 Volt & 110 Volt

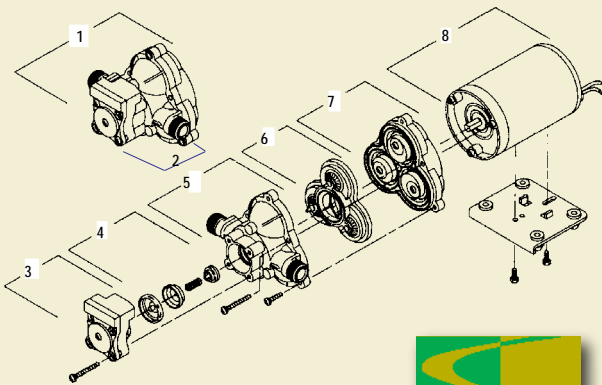


PUMPS	Part#	Description	List Price
12 VOLT Pump	2088-443-144	(3.5 GPM) w/ Demand Switch	\$137.66
12 VOLT Pump	2088-514-500	(4.0 GPM) Internally Bypassing	\$217.00
110 VOLT Pump	2088-594-154	(3.5 GPM) w/ Demand Switch	\$221.00
12 VOLT OIL Pump	2088-813-344	(3.3 GPM) Buna Seals	\$170.84

ITEM#	Part No.	Description	List Price
1	94-236-14	Complete Pump Head, 2088	117.00
2	94-231-05	Upper Housing & Switch, 2088	60.28
3	94-230-36	Switch Kit, 2088	40.44
4	94-237-05	Check Valve Kit under Switch	23.74
5	94-231-30	Upper Housing, 2088	30.24
6	94-232-00	Valve Kit, 2088	25.06
7	94-238-03	Diaphragm & Drive, 2088	48.84
8	11-111-00	Motor, 2088	124.00

### Misc Parts For Above Pumps

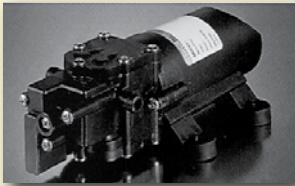
8-162-01	3/8" Hose Barb Swivel Straight	\$5.16
8-161-01	1/2" Hose Barb Swivel Straight	5.16
8-154-01	5/8" Hose Barb Swivel Straight	5.16
8-156-01	3/4" Hose Barb Swivel Straight	5.16
8-159-01	3/8" Hose Barb Swivel Elbow	\$6.20
8-158-01	1/2" Hose Barb Swivel Elbow	6.20
8-155-01	5/8" Hose Barb Swivel Elbow	6.20
8-157-01	3/4" Hose Barb Swivel Elbow	6.20



# SHURflo Diaphragm Pumps

**SHURflo** SLV Series

175

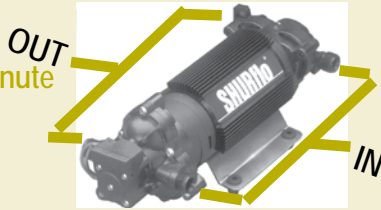


SLV10-AA49 SLV Series Pumps Feature:  
 List Price \$ 66.60  
 - Automatic demand; 25 psi on . max 40psi  
 - Self priming up to 2.5' vertical  
 - Long life pressure switch  
 - Santoprene diaphragm, Viton valves  
 - Thermally protected ball bearing motor with splash proof housing  
 - Internal fan radiates heat, external heat sink not required  
 - Integral on/off switch optional  
 - 3/8" Hose Barb Ports

SLV10-AA40 Series with  
 Integral on/off switch & fuse  
 List Price \$ 70.86



**NEW!!**  
 7.0 Gallon Per Minute  
 Dual Head Pump  
**SHURflo**



GREAT FOR LARGER FLOW  
 APPLICATIONS ON SMALL PULL-  
 TYPE SPRAYERS & PLANTERS

Part# 4111-035  
 7.0 Gpm / 45 Psi Equipped  
 with manifold  
**LIST PRICE**  
**\$387.00**

## MISC. FLOJET 12 Volt PUMP PARTS

Part#	Description	List Price
02095-15	Pressure Switch / 1/4" NPT	\$ 30.00
21195-002	Diaphragm, Buna	19.02
20028-086	Check Valve Kit -Bypassing Pumps	33.00
20028-087	Check Valve Kit - Demand Pumps	33.00

# DELEVAN Pumps - 12 Volt - 5.0 GPM

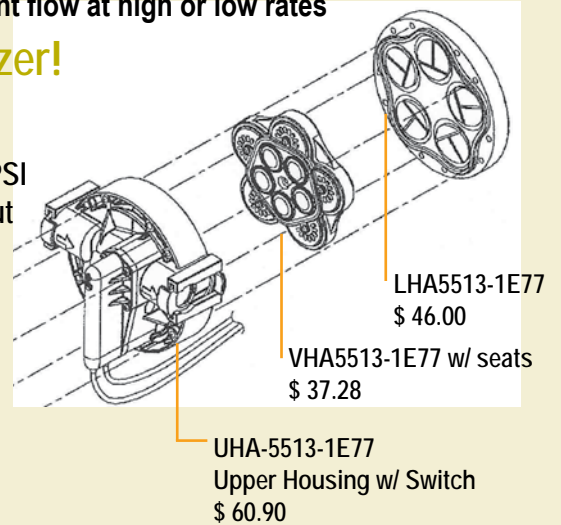
Great for Starter Fertilizer!



5.3 GPM @ Open Flow  
 3.2 GPM @ 60 PSI  
 Factory Preset pressure switch @ 70PSI  
 1/2" Female Pipe Threaded Ports in/out

Part# 5503-1E77-M638  
 List Price \$ 313.00

Exclusive Five Chamber Design Allows for  
 constant flow at high or low rates



12 Volt D-C motor drive  
**Max. flow: 19 gpm**  
 Max. psi: 7 psi closed  
 3/4 Female NPT In/out  
 Fluids to 140 degrees  
 Bronze impeller & housing  
 Viton Lip Seal  
 Max. Amp Draw: 5.5 Amps

## Aqua-Tiger 12 Volt



Part# 9700B  
 List Price \$261.00

## 12 Volt PUMP CONTROLLER

COMPLETE WITH 23' BREAK-AWAY  
 HARNESS & GAUGE TUBING.

Now with Stainless Steel Gauge

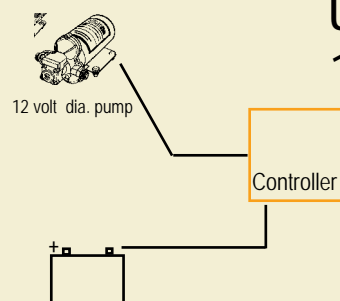
PT#.....3BEC-25-SSG-KIT

LIST\$.....\$427.00

- Console only 3BEC25-SSG \$ 293.00
- Battery Cable BC20-10 \$ 36.00
- Motor Cable MC20-15 \$ 36.00
- Extension Cable \$ 38.00



SELF CONTAINED PUMP SPEED CONTROL UNITS  
 FOR 12-VOLT PUMPS W/ STAINLESS STEEL  
 PRESSURE GAUGE.



**UP TO 25 Amp  
 12 Volt Pumps**

