

92 MANUAL CONTROL VALVES & RELIEF VALVES

Boom & Regulator Valves

Manual Control & Pressure Relief Valves

MANUAL DIRECT VALVES



AA17L
\$ 128.84
 Repair Kit
PK-AB17-KIT \$35.74



List Price
 Please Apply Discount



AA6B Manual Boom Shut-Off
\$50.72

Boom Line
 Activated
 When Handle
 Is Pulled
 Forward or
 Pushed Back

Repair Kit **PK-AB6B-KIT \$21.26**

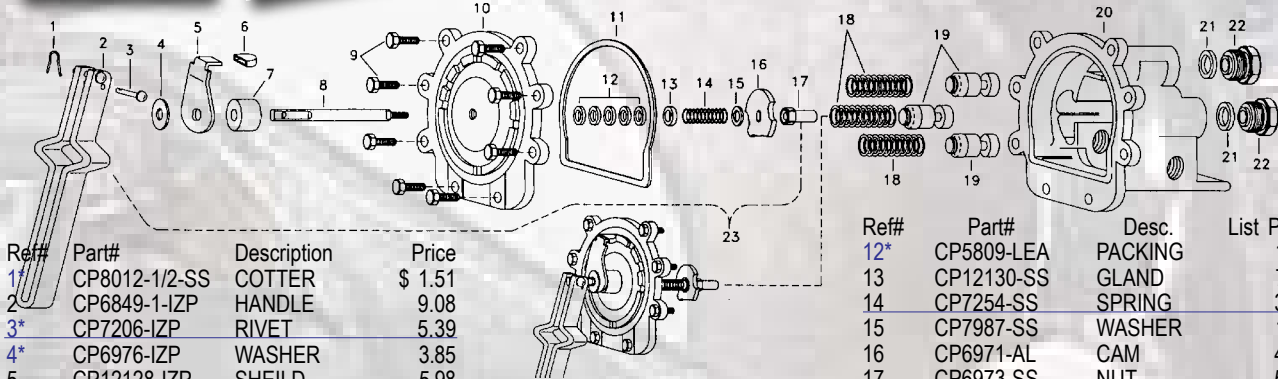
Molded-In
 Mounting
 Bracket

1/4" FPT
 Gauge Port

1/2" Boom Outlet

Misc. Parts

Handle #CP36301-NY \$ 5.56
 Handle Pin #CP36308-SS \$ 1.22
 U-Clip #CP36309-302SS \$ 3.15
 Body #CP36303-P \$ 16.38



Ref#	Part#	Description	Price
1	CP8012-1/2-SS	COTTER	\$ 1.51
2	CP6849-1-I-ZP	HANDLE	9.08
3*	CP7206-I-ZP	RIVET	5.39
4*	CP6976-I-ZP	WASHER	3.85
5	CP12128-I-ZP	SHEILD	5.98
6*	CP12127-CE	TIP	3.97
7	CP12129-CE	SPACER.	5.33
8	CP6972-SS	STEM	10.71
9*	CP7980-SS	SCREWS	2.50
10*	CP12126-AL	COVER	50.28
11*	CP6975-BU	GASKET	8.65

Parts For
AA 17L Valve

Ref#	Part#	Desc.	List Price
12*	CP5809-LEA	PACKING	1.51
13	CP12130-SS	GLAND	7.67
14	CP7254-SS	SPRING	3.83
15	CP7987-SS	WASHER	1.51
16	CP6971-AL	CAM	4.32
17	CP6973-SS	NUT	5.38
18	CP6959-SS	SPRING	3.22
19	CP6956-CE	STEM	3.99
20	CP6934-3/4-AL	BODY	58.58
21*	CP6958-POL	ADAPTER	6.61
*PK-AB171-KIT REPAIR KIT			\$35.74
*INCLUDED IN REPAIR KIT			



PRESSURE RELIEF VALVES



23120-3/4(1/2)-PP
 (150 Psi. Max.)
\$34.33
 Repair Kit
PK-AB-23120-KIT.\$16.92

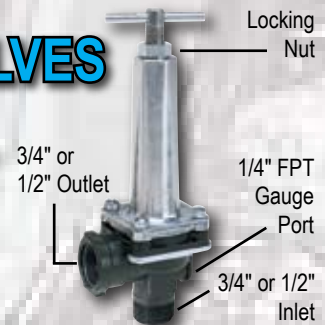


6815-3/4-50,300,700 \$73.19
 Repair Kit
PK-AB6815-300-KIT...\$15.90
6815-3/4-HSS-50,300,700 \$103.42
 Repair Kit
PK-AB6815-300-KIT...\$15.90

Locking
 Nut
 1/4" Outlet
 1/4" Inlet



AA110-1/4-50
 Brass
 (or 150,300,700lbsi.)
\$55.09



8460-3/4 or 1/2
 Polypropylene & Aluminum
 (50 or 300 psi)
\$63.06
 Repair Kit
PK-AB8460-KIT.....\$22.73